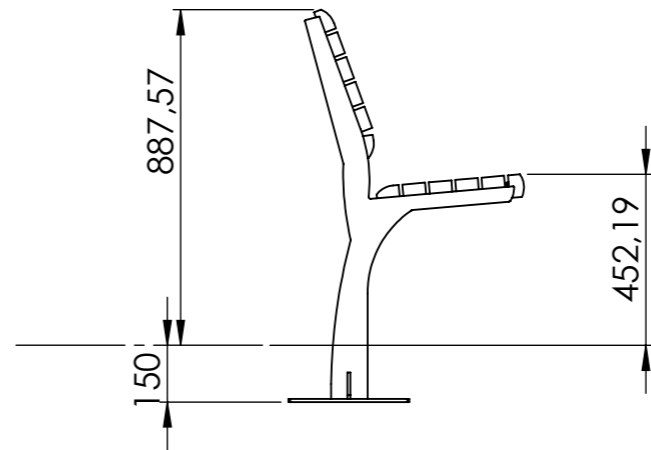
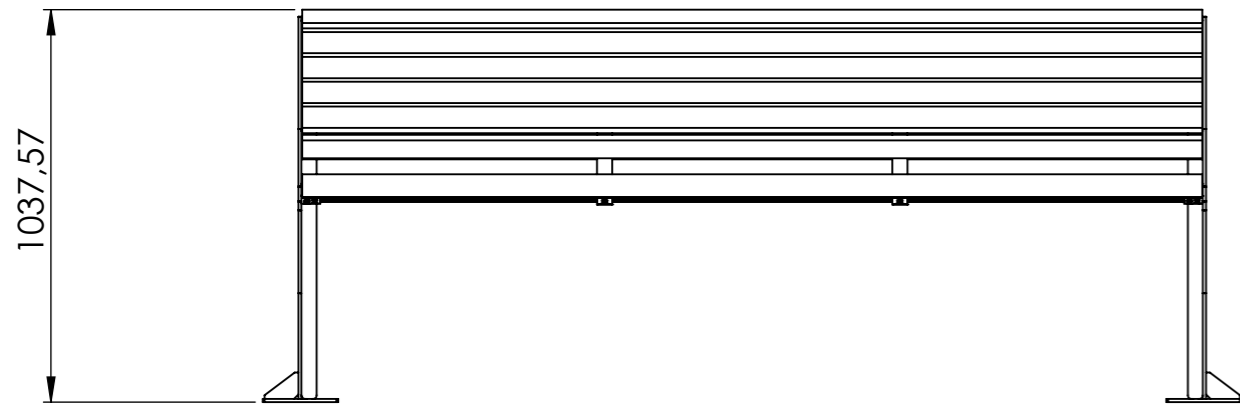
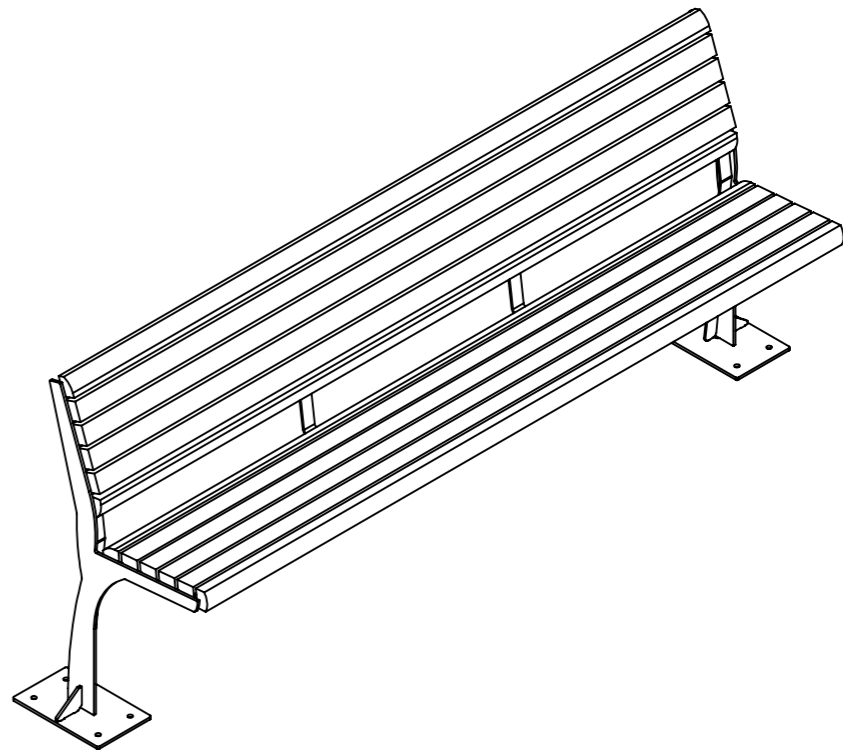
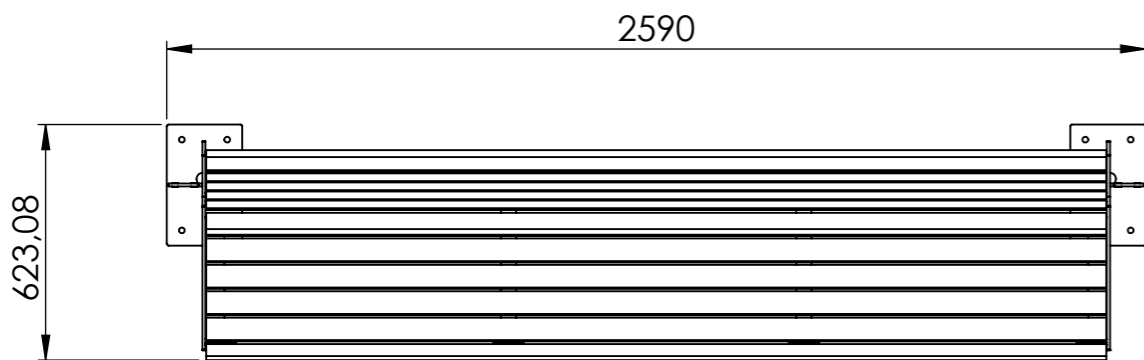




1 2 3 4 5 6 7 8

A
B
C
D
E
F



DRAWN	Dorus Bannenberg	DATE	30-3-2020		TITLE:	GRBE_2400SB		
REVISION					Drawing:	GRBE_2400SB	A3	
		Liessentstraat 4, 5405 AG Uden (NL). † 0031 (0)413 - 27 41 68. e info@furns.nl, † www.furns.nl		Color:	-	Mass(kg): 68.97	SCALE:1:20	SHEET 1 OF 5